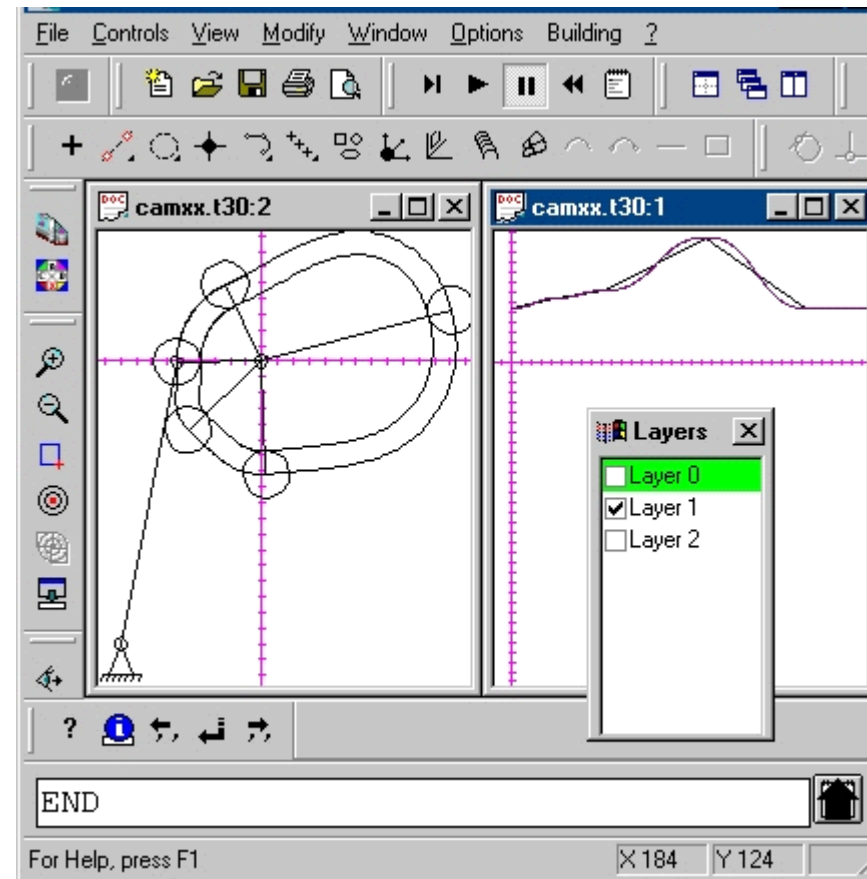
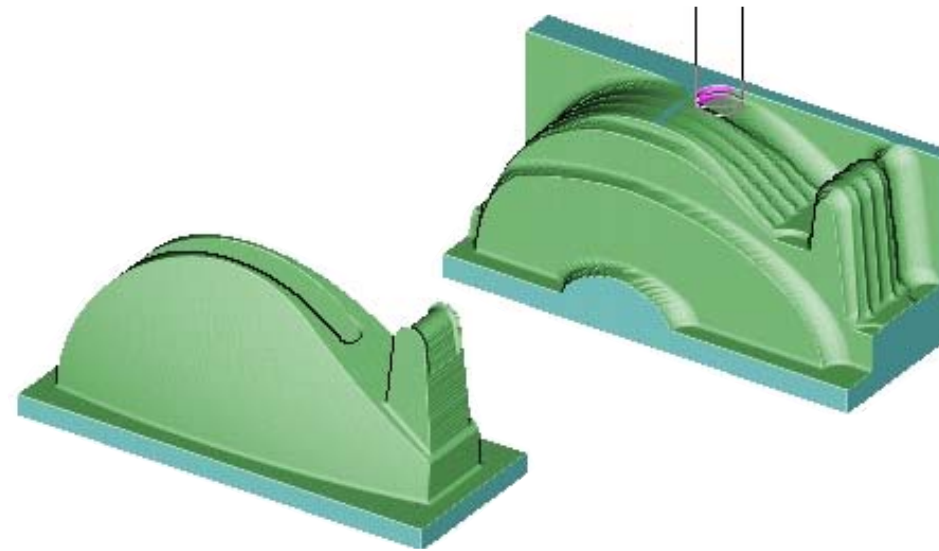


TECHNICAL CHARACTERISTICS

- ◆ Exchange DATA in DXF (Drawing Interchange Format), IGES (Initial Graphics Exchange Specification), ISO (International Standard Organization)
 - ◆ Part_program with a great set of geometric statements suited for the parametric programming.
 - ◆ Three-dimensional definitions of origins, sections, surfaces, variables.
 - ◆ Oriented geometry, temporary elements, parametric values.
 - ◆ Auto-correction current instruction.
 - ◆ Drag and Drop to exchange DATA with the compatible programs (CADX, TS35, TS85).
 - ◆ Multi-view, multi-layers .
-
- ◇ Pocking and emptying with unlimited Z isles.
 - ◇ Tool paths optimization.
 - ◇ Complete machining.
 - ◇ Machining on surfaces with checking tool path.
 - ◇ 5 axes machining.
 - ◇ Possibility to configure more machines.
 - ◇ Approach with a ramp, or with radius in the machining.
 - ◇ Unlimited tool tables, for material, class and diameters.
 - ◇ Tool holder definition.
 - ◇ Machining with wire E.E.



OPERATING SYSTEMS

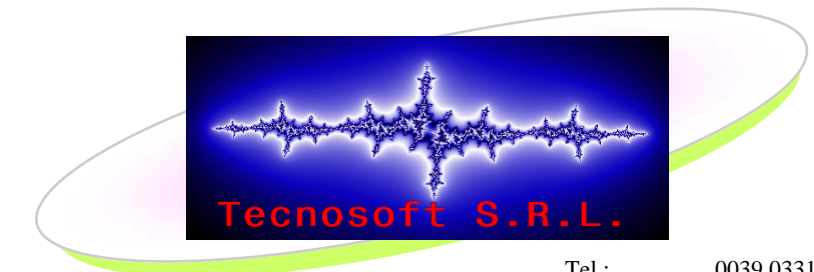
Multi platform: available both in 32 & 64 bit
Full compatibility
with Windows 7 &
Vista (32bit & 64bit)



Tecnosoft s.r.l.

Via Stazione, 116
21020 Mornago (VA)
ITALIA

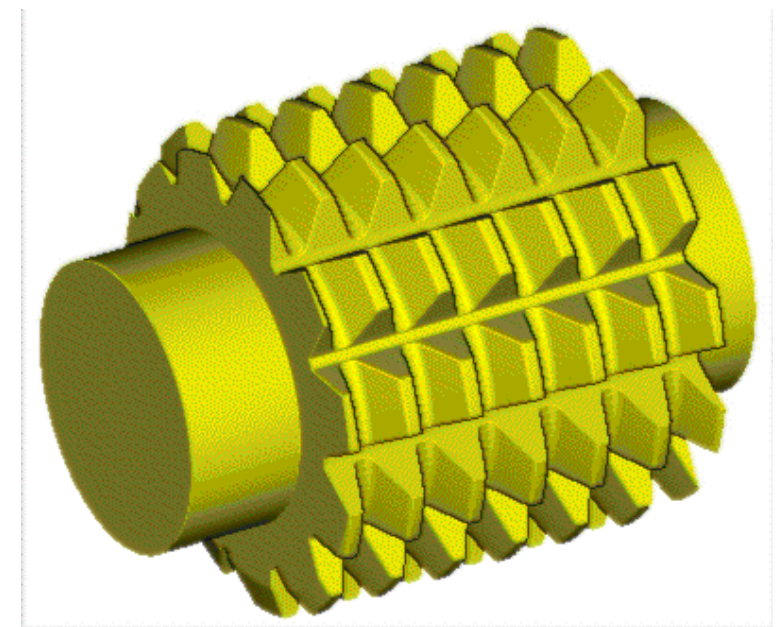
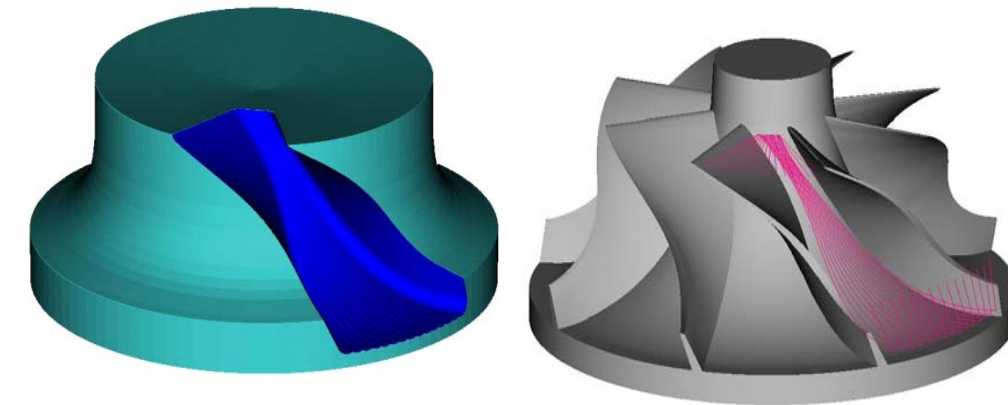
Tel.: 0039 0331 904020
Fax: 0039 0331 904026
E-mail: tecnosoft@cbferrari.com



Via Stazione, 116 21020 Mornago (VA) ITALIA

Tel.: 0039 0331 904020
Fax: 0039 0331 904026
E-mail: tecnosoft@cbferrari.com

Ts35



CAM INNOVATION

**The synthesis of the user friendly
CAD interface, and the parametric
interpreted**

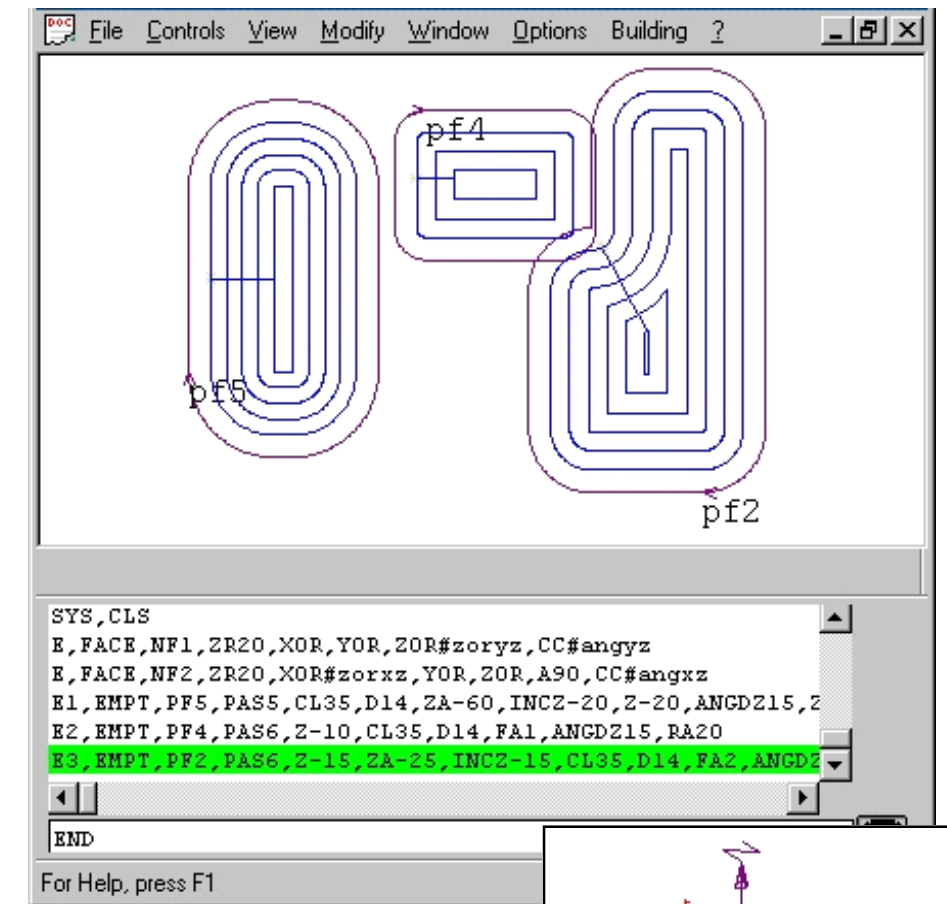
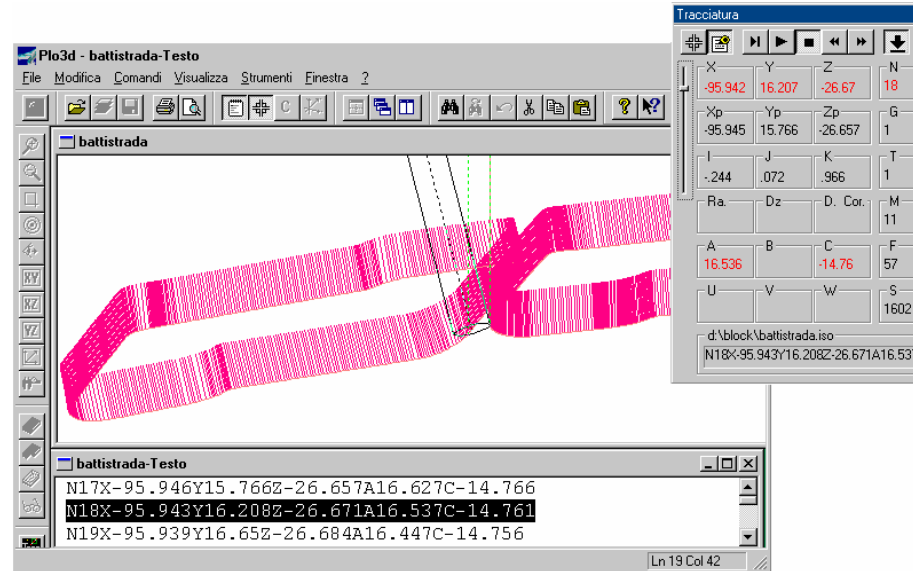
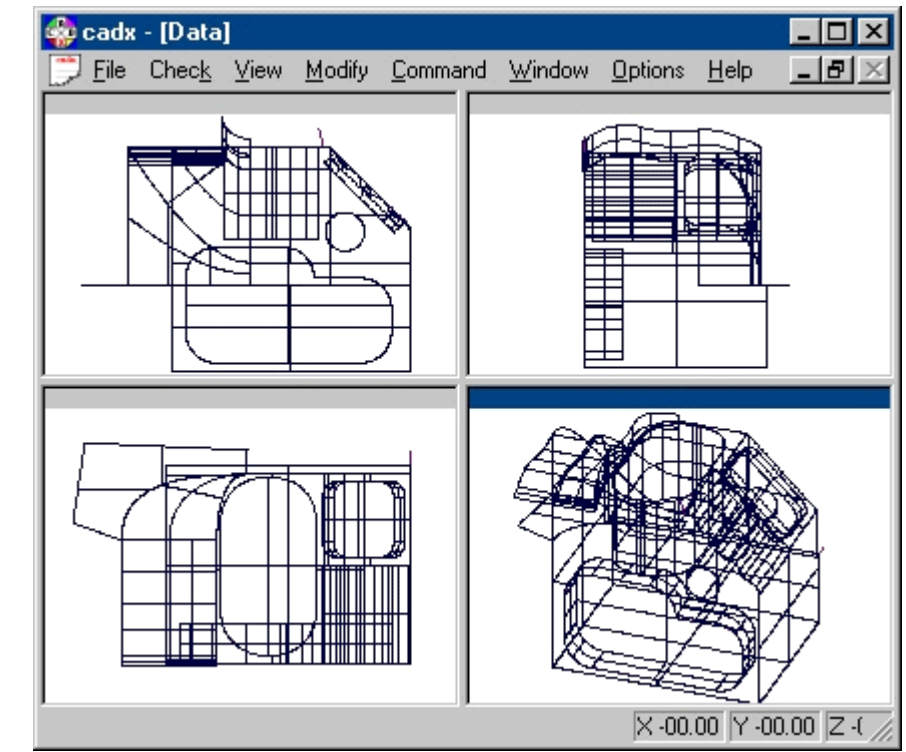
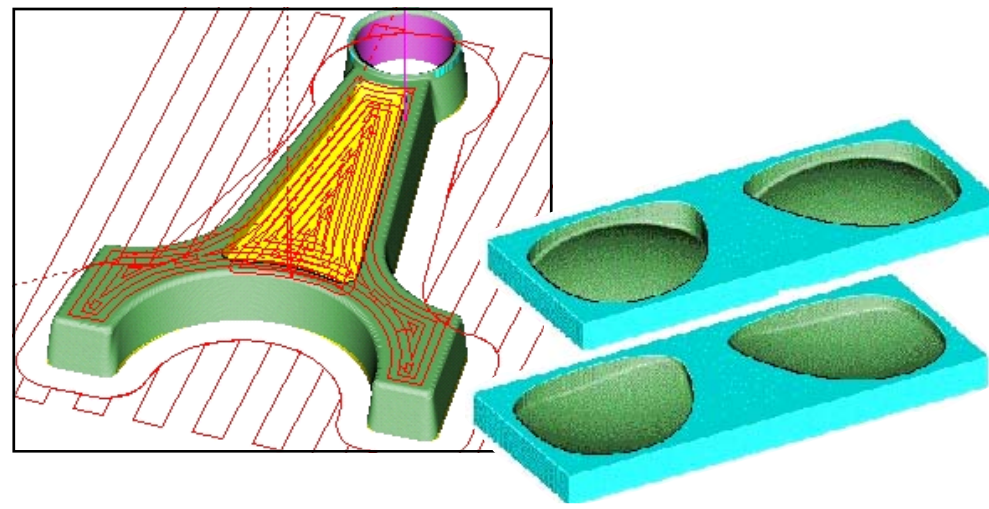
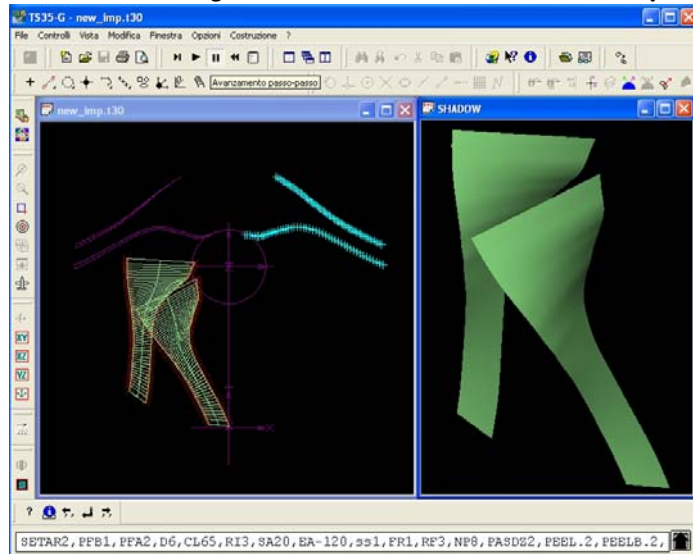
COMPLETE PROGRAMS SUITE

The package include a complete software set suited for:

- create the part program interactively
- process data to c.n.c.
- configure tool tables.
- show of the tool path

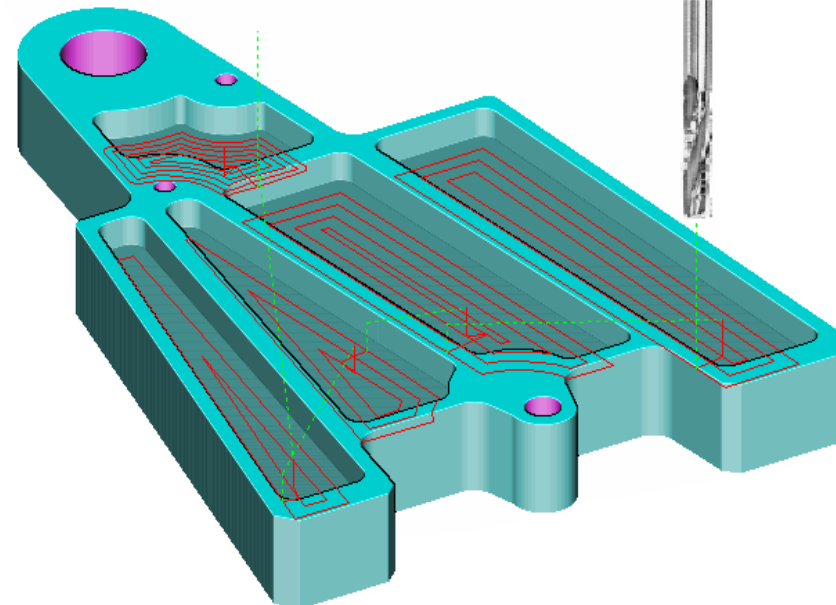
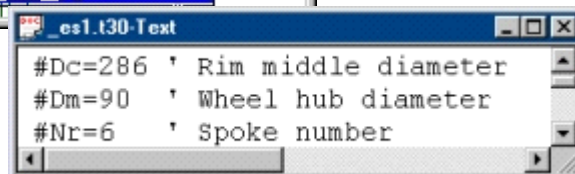
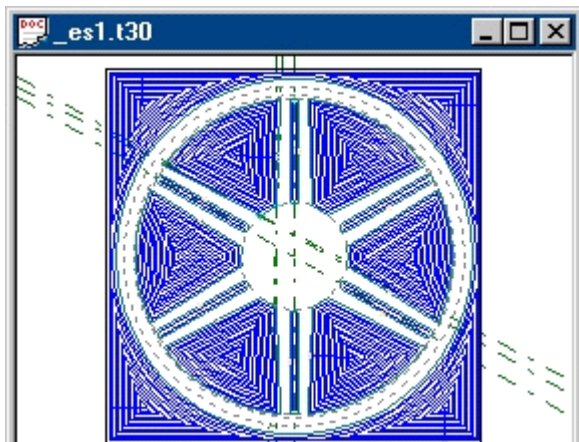
STRUCTURED PROGRAMMING LANGUAGE

With a powerful set of geometrical, technological and auxiliary instructions almost all parametric.



TRANSPARENT COMMANDS

- ⇒ immediate search of an element on the screen and display characteristic data.
- ⇒ “drag and drop” query elements. (numerical and parametric values)
- ⇒ “drag and drop” of elements, from and to another software (e.g. Ts85)
- ⇒ more than 30 commands immediate and transparent.



Easy, powerful, reliable, designed in objects, exploits all the power of the operating systems WINDOWS 2000 - XP - 7 - VISTA included help on line, copy and paste, graphic interface, intuitive dialogues suited to a fast learning

Easy use of rotary tables and/or tilting head with system reference changes.

